

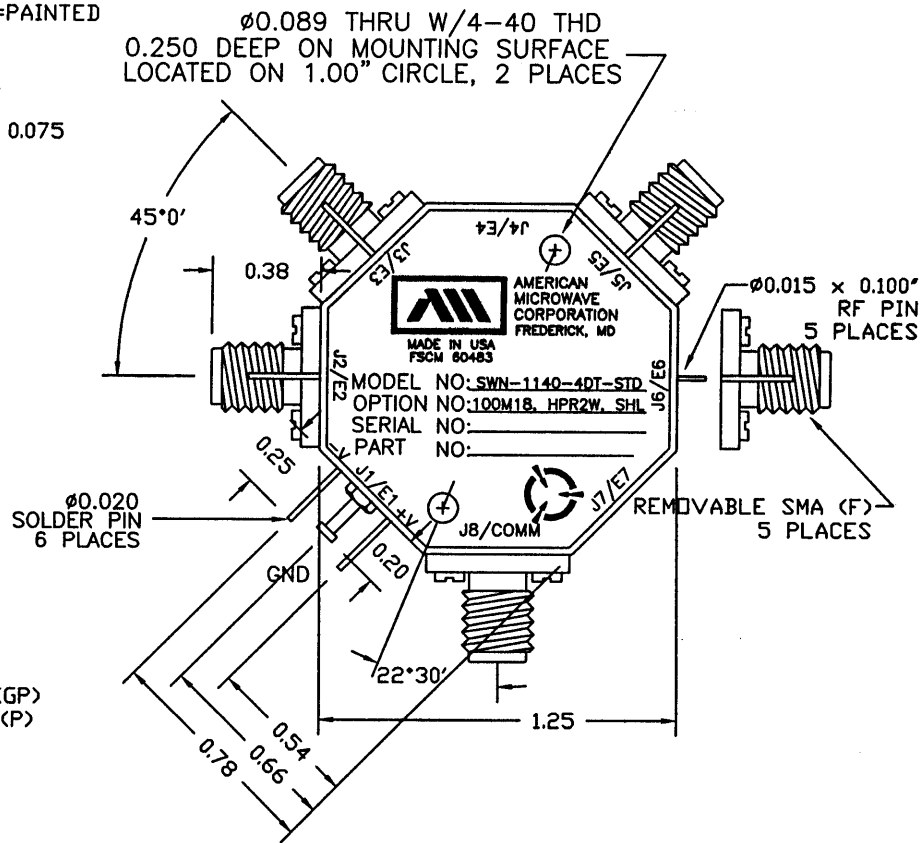
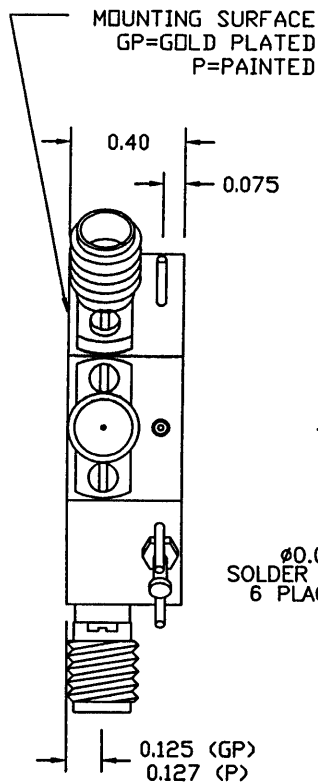
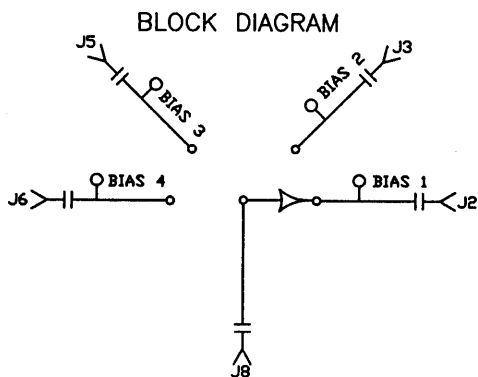
**SPECIFICATIONS:**

AMC MODEL NUMBER SWN-1140-4DT-STANDARD OPTION 100M18, HPR2W, SHL IS A SINGLE POLE FOUR THROW, BROAD BAND, HIGH POWER SOLID STATE ABSORPTIVE SWITCH WITH HIGH ISOLATION AND LOW LOSS.

REVISIONS				
ZONE	REV.	DESCRIPTION	DATE	APPROVED
-	-	ORIGINAL JOB#: 104089-5	05/17/01	

**SPECIFICATIONS:**

- FREQUENCY: . . . . . 100 MHz TO 18 GHz
- INSERTION LOSS: . . . . . 3.75 dB
- ISOLATION: . . . . . 100 MHz TO 2 GHz: 60db  
2 GHz TO 18 GHz: 70db
- VSWR: . . . . . ABSORPTIVE IN/OUT: 2.0:1  
ABSORPTIVE OUT/OFF: 2.0:1
- SPEED: . . . . . DELAY ON: 500ns TYPICAL  
DELAY OFF: 500ns TYPICAL
- POWER INPUT: . . . . . +33 dBm CW
- CONTROL: . . . . . TTL LOGIC "0"=ON "1"=OFF
- POWER SUPPLY: . . . . . +5V @ 150 mA MAX.  
-15V @ 100 mA MAX.



CONFIDENTIAL AND PROPRIETARY

**ENVIRONMENTAL RATINGS:**

- TEMPERATURE: . . . . . -55°C TO +85°C (OPERATING)  
-65°C TO +125°C (STORAGE)
- HUMIDITY: . . . . . MIL-STD-202F, METHOD 103B COND. B
- SHOCK: . . . . . MIL-STD-202F, METHOD 213B COND. B
- VIBRATION: . . . . . MIL-STD-202F, METHOD 204D COND. B
- ALTITUDE: . . . . . MIL-STD-202F, METHOD 105C COND. B
- TEMPERATURE CYCLE: . . . . . MIL-STD-202F, METHOD 107D COND. A

ALL DIMENSIONS ARE IN INCHES  
TOLERANCES:  
X.XX ±0.020  
X.XXX ±0.010

NOTE: THE ABOVE SPECIFICATIONS ARE SUBJECT TO CHANGE OR REVISION

CONTRACT NO.		AMERICAN MICROWAVE CORPORATION FREDERICK, MARYLAND		
APPROVALS	DATE	TITLE		
DRAWN <i>WJL</i>	05/17/01	PRODUCT FEATURE		
CHECKED <i>WJL</i>	2/17/02	SWN-1140-4DT-STANDARD OPTION: 100M18, HPR2W, SHL		
ISSUED		SIZE	FSCM NO.	DWG NO.
		A	60483	100-6111
		SCALE	1.5:1	SHEET 1 of 3